



FORCE 6 BLOWER Owner's Manual



Patent #6,253,416 and other patents pending **FORCE BLOWER Owner's Manual**

F601S, F601HS

Beginning Serial #: 110215001

ACCESSORIES

FRONT AIR DIRECTOR

Simple to attach, allowing air to be directed forward.



PN# 441130

HOSE KIT

Easily attached hose and nozzle for hard to reach places.



PN# 441166

Original Instructions

IMPORTANT- READ CAREFULLY BEFORE USE AND KEEP FOR FUTURE REFERENCE



FORCE™ 6 BLOWER Owner's Manual

CONTENTS

SPECIFICATIONS/ SOUND AND VIBRATION_____	3
INSTRUCTION LABELS _____	4
PACKING CHECKLIST_____	5
ASSEMBLY_____	6
OPERATION AND MAINTENANCE_____	7
TROUBLESHOOTING_____	8
ILLUSTRATED PARTS LIST_____	9
PARTS LIST _____	10
DECLARATION OF CONFORMITY_____	11-13

Go to <http://www.billygoat.com> for French-Canadian translations of the product manuals.

Visitez <http://www.billygoat.com> pour la version canadienne-française des manuels de produits.



FORCE™ 6 BLOWER Owner's Manual

SPECIFICATIONS

	F601S	F601HS
Engine: HP	6.0 HP (4.7kW)	6.0 HP (4.7kW)
Engine Model	SP170DP0166	GS190AQBA
Engine Type	SUBARU	HONDA
Engine Fuel Capacity	3.8 qt.(3.6 L)	1.9 qt. (1.8 L)
Engine Oil Capacity	0.63 qt.(0.60 L)	0.63 qt. (0.6L)
Total Unit Weight	76# (34.5 kg)	76# (34.5 kg)
Overall Length	43.5"(1.1m)	43.5"(1.1m)
Overall Width	22" (0.56m)	22" (0.56m)
Overall Height	45" (1.14m)	45" (1.14m)
Max Operating Slope	20°	20°
In Compliance with 2000/14/EEC Standards	105dB(a) @3600 rpm	105dB(a) @3600 rpm
Sound at Operator's Ears	89dB(a) @ 3600 rpm	89dB(a) @ 3600 rpm
Vibration at Operator Position	1.02 g (10.1 m/s ²)	1.02 g (10.1 m/s ²)

SOUND



L_{WA}

105

SOUND LEVEL 89 Db(a) at Operators Position

Sound tests were conducted in accordance with 2000/14/EC, as well as ISO 11094, and were performed on 8-3-2007 under the conditions listed below.

⚠ Sound power level listed is the highest value for any model covered in this manual. Please refer to serial plate on the unit for the sound power level for your model.

General Conditions:

Temperature:

Wind Speed:

Wind Direction:

Humidity:

Barometric Pressure:

Sunny

87.8°F (31.1°C)

1.8 mph (2.8kph)

East South east

61.5%

30.1Hg (101.98kpa)

VIBRATION DATA

VIBRATION LEVEL 1.02g (10.1m/s²)

Vibration levels at the operator's handles were measured in the vertical, lateral and longitudinal directions using calibrated vibration test equipment. Tests were performed on 9-20-07 under the conditions listed below.

General Conditions:

Temperature:

Wind Speed:

Wind Direction:

Humidity:

Barometric Pressure:

Sunny

86.5°F (30.3°C)

8 mph (13 kph)

South Southwest

49.8%

30.1Hg (101.94kpa)



FORCE™ 6 BLOWER Owner's Manual

INSTRUCTION LABELS

The labels shown below were installed on your BILLY GOAT® FORCE™ Blower. If any labels are damaged or missing, replace them before operating this equipment. For your convenience in ordering replacement labels, part numbers are included in the Illustrated Parts List. The correct position for each label may be determined by referring to the Figure and Item numbers shown.



LABEL SPARK ARRESTOR
P/N 100252



LABEL READ OWNERS MANUAL
ITEM #35 P/N890301



LABEL SAFETY PROTECT
ITEM#36 P/N100346



DANGER FLYING DEBRIS
ITEM # 37 P/N 810736



LABEL EXPLOSIVE FUEL
ITEM # 34 P/N 400268

ENGINE LABELS

SUBARU

	Read the owner's manual.		
	Stay clear of the hot surface.		
	Exhaust gas is poisonous. Do not operate in an unventilated area.		
	Stop the engine before refueling.		
	Fire, open flame and smoking prohibited.		
	On (Run)	+	Plus; Positive polarity
○	Off (Stop)	🔋	Battery
	Engine oil		Engine start (Electric start)
	Add oil		



HONDA

■ READ OWNER'S MANUAL BEFORE OPERATION.
 ■ LIRE LE MANUEL D'UTILISATION AVANT L'USAGE.
 ■ VOR INBETRIEBNAHME UNBEDINGT BEDIENTUNGSANLEITUNG LEBEN.
 ■ NO UTILIZAR SINANTES NO HAYER MANUAL.
 HONDA MOTOR CO., LTD. MADE IN JAPAN





FORCE™ 6 BLOWER Owner's Manual

PACKING CHECKLIST

These items should be included in your carton. If any of these parts are missing, contact your dealer.

Your BILLY GOAT® FORCE™ Blower was shipped in one carton, completely assembled except for the Upper Handle Assembly and Front Diverter. Mounting hardware for the Upper Handle Assembly can be found on the lower handle.



READ all safety instructions before assembling unit.

TAKE CAUTION when removing the unit from the box the Handle Assembly is attached to the unit by cables.



PUT OIL IN ENGINE BEFORE STARTING

PARTS BAG & LITERATURE ASSY

Warranty card P/N- 400972, Owner's Manual P/N-441242, General Safety and Warnings Manual P/N-100294, Declaration of Conformity P/N-440022



Boxing Parts Checklist

- Handle Upper Assembly
Item 24 P/N-441157
- Parts Bag & Literature Assy
P/N-441160
- Subaru 6
- Honda 6



FORCE™ 6 BLOWER Owner's Manual

ASSEMBLY

1. The hardware for attaching the upper handle to the lower can be found on the lower handle. Install upper handle (item #24), to preassembled lower handles (item #25 & #26) by sliding the upper over and down the inside of the lower handle. Using a bolt (item #12), washers (item #10) and lock nut (item #11), install upper handle to lower handle. Finish installing the other side of the upper handle assembly using screw and lock nut provided. The Aim-and-Shoot™ is not attached, you will need to unroll the cable and attach the ball end to the lever and seat the cable end into the hole on the saddle clamp, with the cable running through the slot. To keep the cable from being damaged use three ty-wraps (item #61) to secure it to the handle as shown, making sure that the cable is not rubbing against the tire. (See Fig. 1)
2. Attach the front tire using the hardware located on the front wheel bracket. Use a block to raise the front end of the unit off the ground. Insert the wheel spacer (item #17) into the wheel and place in between the bracket. Finally insert the bolt (item #20) through the bracket, wheel, and spacer and secure with the nut (item #27). (See Fig. 2)
3. Connect spark plug wire.

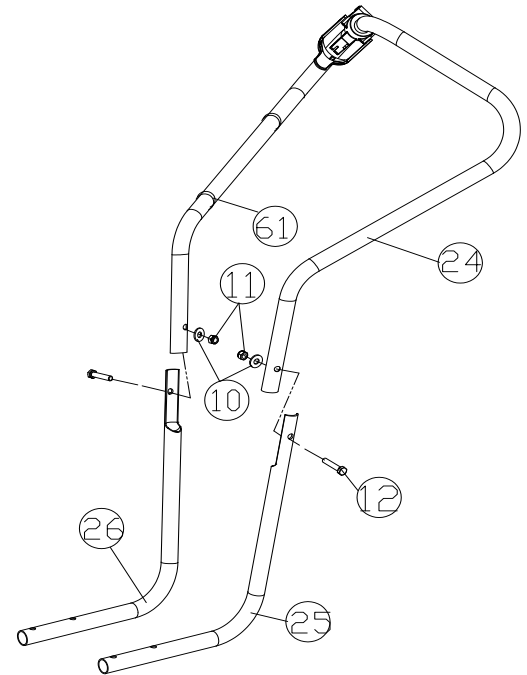


Fig. 1

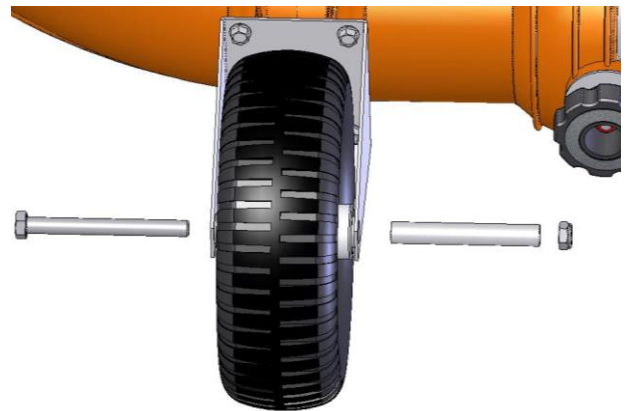


Fig. 2



FORCE™ 6 BLOWER Owner's Manual

OPERATION

BLOWING OPERATION

Your Billy Goat Force™ blower is equipped with an air director cone and the patented Aim-N-Shoot™ control lever to allow the operator to direct the air stream up or down as required to assist in moving debris. This feature is extremely useful when debris has piled up to the point that it cannot be blown any farther. The air stream can be directed upward to blow the top of the debris pile over and allow the operator to continue moving more debris farther.

ADJUSTING AIR DIRECTOR

To adjust air direction, squeeze the Aim-N-Shoot control lever. When you want to blow debris at the same angle for an extended period, choose a suitable position and use the finger controlled push button lock to lock the cone in position. For operations that do not require the use of the Aim-N-Shoot feature the manual adjustment knob (See Fig. 3), can be used to permanently lock the cone into position. *NOTE:* be sure to release the knob when returning to using the Aim-N-Shoot.

⚠ DO NOT position director cone to where it will blow debris towards people, vehicles or other objects in vicinity. Flying debris may damage, harm, or cause injury to people or objects in air flow range.

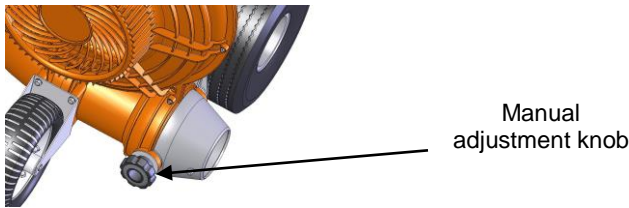


Fig. 3

MAINTENANCE

PERIODIC MAINTENANCE

Periodic maintenance should be performed at the following intervals:

Maintenance Operation	Every Use	Daily or Every 5 Hours	Every 100-150 Hours
Inspect for worn or damaged parts	●		
Check for excessive vibration		●	
Inspect impeller for cracks or damage			●
Inspect for loose parts		●	

IMPELLER REMOVAL

1. Wait for engine to cool and disconnect spark plug.
2. Remove housing front cover by removing ten screws from around the outside of front cover and the exhaust knob (item #22) and nut (item #14).
3. Remove impeller bolt (item #29), lock washer (item #7) and washer (item #28).
4. **DO NOT** pry on impeller. Pull on center hub area of impeller only. If impeller slides off freely, proceed to (step 6).
5. If the impeller does not loosen, use a pry bar against the back of the hub and the plate and apply pressure to separate the impeller from the shaft. **DO NOT** use the pry bar to apply pressure to any plastic part such as the impeller or the main housing. Using a penetrating oil can help loosen a stuck impeller.
6. Reinstall new impeller in reverse order of removal.
7. Tighten impeller bolt. Torque impeller bolt (see Parts List on page 10 for proper impeller bolt torque specifications).



FORCE™ 6 BLOWER Owner's Manual

TIRE AIR PRESSURE

Check at regular intervals and maintain.
Rear Tires - 20 Psi (137 kPa).

TROUBLESHOOTING

Problem	Possible Cause	Solution
Abnormal vibration	Loose or out of balance impeller. Debris in impeller. Loose engine.	Check impeller and replace if required. Clear debris with compressed air or a backpack blower (See Fig. 4 and 5 below). Check engine.
Engine will not start	Engine not in full choke position. Out of gasoline or bad, old gasoline. Spark plug wire disconnected. Gas valve off. Dirty air cleaner.	Check choke position. Check gasoline. Connect spark plug wire. Turn on gas valve. Clean or replace air cleaner. Contact a qualified service person.
Engine is locked, will not pull over	Engine problem.	Contact an engine servicing dealer for engine problems.
Aim-N-Shoot™ lever sticking	Debris stuck around cone. Cone adjustment knob too tight. Adaptor mount nut (item #43) too tight.	Clean debris. Apply silicone based lubricant to pivot points. Loosen manual adjustment knob. Loosen nut.

*Using compressed air, or a backpack blower, you can loosen or free debris easily from the impeller and housing, which can cause wear and tear on the machine. You can manually remove debris by taking off the front housing.
NOTE: Always disconnect the spark plug when servicing.
(See Fig. 4 and 5)



Fig. 4



Fig. 5



FORCE™ 6 BLOWER Owner's Manual

FORCE 6 PARTS LIST

ITEM NO.	DESCRIPTION	F601S		F601HS	
		PART NUMBER	QTY.	PART NUMBER	QTY.
1	ENGINE 6 HP HORZ SUBARU	350307	1	-	-
	ENGINE 6 HP HONDA	-	-	441199	1
2	BASE ENGINE WA	441151-S	1	441151-S	1
3	SCREW PLASTITE #8-16 X 3/4" HWH	441155	10	441155	10
4	PLATE REINFORCE HOUSING	441102	2	441102	2
5	HOUSING FRONT MOLDED	441101-1-S	1	441101-1-S	1
6	HOUSING BACK MOLDED	441101-2	1	441101-2	1
7	WASHER LOCK 5/16 ST MED	8177011	5	8177011	5
8	SCREW CAP 5/16-24 X 1" GR. 5 ZP	400164	4	400164	4
9	ROD HAND STOP	441154	1	441154	1
10	WASHER 5/16 FLATWASHER Z/P	8171003	14	8171003	14
11	NYLON INSERT LOCKNUT 5/16-18	8160002	6	8160002	6
12	SCREWCAP 5/16-18 X 1.75 ZP	8041031	2	8041031	2
13	SCREW PLASTITE 1/4-10 X 3/4 HWH	840082	4	840082	4
14	NUT LOCK 5/16-18 LT WT TH ZP	8161041	1	8161041	1
15	RING RETAINING 3/4	850230	2	850230	2
16	WHEEL 8" X 0.5	441123	1	441123	1
17	SPACER FRONT AXLE	441162	1	441162	1
18	WHEEL ASSY 10"	400295	2	400295	2
19	FRONT WHEEL BRACKET	441122	1	441122	1
20	SCREWCAP 3/8-16 X 3 3/4 HCS ZP	8041061	1	8041061	1
21	WASHER W/BOLT WA	441156	1	441156	1
22	KNOB 5/16-18 X 5/8 FLUTED	400339	1	400339	1
23	WASHER EXTENSION	810652	1	810652	1
24	HANDLE UPPER	441157-S	1	441157-S	1
25	HANDLE LOWER LH	441158	1	441158	1
26	HANDLE LOWER RH	441159	1	441159	1
27	NUT LOCK 3/8-16 LT WT THIN ZP	8161042	1	8161042	1
28	WASHER 1.125 OD X 0.344 ID X 10 GA.	441150	1	441150	1
29	SCREWCAP 5/16-24 X 1 1/2 GR 8 24-28 Ft. lbs. (33-38 N.m.)	830135	1	830135	1
30	DIRECTOR CONE 3.5"	441120-01	1	441120-01	1
31	SCREWCAP 5/16-18 X 2 1/2	8041034	4	8041034	4
32	IMPELLER ASSEMBLY 16"	441202-S	1	441202-S	1
33	LABEL SPARK ARRESTOR	100252	1	100252	1
34	LABEL WARNING FUEL EN/SP	100261	1	100261	1
36	LABEL SAFETY PROTECT READ MANUAL	100346	1	100346	1
37	LABEL DANGER FLYING DEBRIS	810736	1	810736	1
38	GRIP 1" ID x 13"	400570	2	400570	2
39	LABEL LOGO SMALL FRAME	441234	1	441234	1
40	Key 3/16" SQ x 1 3/4	9201084	1	9201084	1
43	NUT LOCK 1/4"-20 HEX ZP	8160001	4	8160001	4
44	HANDLE DIVERTER FORCE	440119	1	440119	1
45	PIN LATCH DIVERTER	440118	1	440118	1
46	SPRING COMPRESSION 0.281 X 0.88	440129	1	440129	1
47	RING RETAINING .122 DIA	440125	1	440125	1
48	SADDLE LOWER DIVERTER	440115	1	440115	1
49	PLATE LOCK DIVERTER	440116	1	440116	1
50	SCREW PLASTITE #6-19 X 5/8"	440132	1	440132	1
51	SADDLE UPPER DIVERTER	440114	1	440114	1
52	SCREW PLASTITE #10-14 X 1"	440126	2	440126	2
53	PIN PIVOT DIVERTER CONTROL	440123	1	440123	1
54	RING RETAINING 5/16	430327	1	430327	1
55	CABLE ASSY	441163	1	441163	1
56	DIVERTER PIVOT ADAPTOR	440121	1	440121	1
57	SPRING EXTENSION 0.468 X 5.25	440130	1	440130	1
58	PIN CLEVIS 1/4 X 3/4	440124	1	440124	1
59	.051 X 3/4" HITCH PIN CLIP	440193	1	440193	1
60	ADAPTOR MOUNT WA	440122	1	440122	1
61	TY-WRAP	900407	3	900407	3
62	LABEL VIBRATION WARNING	440191	1	440191	1
63	FORCE WHEEL BEARING .751 ID	440055	2	440055	2
64	ELASTIC LOOP BLACK 5.5"	100267	1	100267	1
65	SCREWCAP 1/4-20 X 1 1/4" HCS ZP	8041007	2	8041007	2
66	FENDER WASHER 5/16	8172020	4	8172020	4
67	WASHER 1/4" SAE	8172007	4	8172007	4
68	SCREWCAP 1/4"-20 1 1/2" HCS ZP	8041008	2	8041008	2
69	SCREWCAP #10-24 X 1 1/4" HWH ZP	8059140	1	8059140	1
70	WASHER #10 SAE	8172005	2	8172005	2
71	NUT LOCK LT #10 - 24 HEX	8164005	1	8164005	1
72	NUT LOCK 1/4"-20 2 WAY	8142004	1	8142004	1
73	LABEL AIM AND SHOOT	440332	1	440332	1
75	DIVERTER ASSY	440312	1	440312	1



FORCE™ 6 BLOWER Owner's Manual



en	English	fi	Suomi	lv	Latviešu	ru	Русский
bg	Български език	fr	Français	nl	Nederlands	sl	Slovenščina
cs	Čeština	el	Ελληνικά	no	Norsk	sk	Slovák
da	Dansk	hr	Hrvatski	pl	Polski	sv	Svenska
de	Deutsch	hu	Magyar	pt	Português	tr	Türkçe
es	Español	it	Italiano	ro	Română		
et	eesti keel	lt	Lietuvių				

en	EC Declaration of Conformity	el	Δήλωση συμμόρφωσης ΕΚ	pl	Deklaracja zgodności UE
bg	Декларация за съответствие с европейските стандарти	hu	EU Megfelelőségi nyilatkozat	pt	Declaração de Conformidade à CE
cs	ES Prohlášení o shodě	hr	EC Deklaracija o sukladnosti	ro	Declarație de conformitate C.E.
da	EC Overensstemmelseserklæring	it	Dichiarazione di conformità CE	ru	Заявление о соответствии стандартам и нормам ЕС
de	EG-Konformitätserklärung	lv	EB atbilstības deklarācija	sl	ES izjava o skladnosti
es	Declaración de Conformidad de la CE	nl	E.G. Conformiteitsverklaring	sk	Vyhlasenie o zhode
et	EÜ vastavustunnistus	no	CE konformitetserklæring	sv	EG-försäkran om överensstämmelse
fi	EC-vaatimustenmukaisuusvakuutus			tr	EC Uygunluk Deklarasyonu
fr	Déclaration de conformité CE				

en	Category Blower	el	Κατηγορία φυσητήρας	pl	Kategoria dmuchawy
bg	Категория вентилатор	hu	Kategória fúvó	pt	Categoria soprador
cs	Kategorie dmýchadlo	hr	Kategorija puhalo	ro	Categorie suflanta
da	Kategori blæser	it	Categoria soffiatore	ru	Категория сифланта
de	Kategorie Gebläse	lt	Kategorija Ventiliatorius	sl	Kategorija puhalo
es	Categoría soplador	lv	Kategorija pūtējs	sk	Kategória dúchadlo
et	Katagooria Puhur	nl	Categorie blazer	sv	Kategori blåsare
fi	Kategoria puhallin	no	Kategori vifte	tr	Kategori Blöver
fr	Catégorie la soufflante				

en	This is to certify that the products listed in this document meet the requirements of the European Community Law, and can carry the CE mark. These models comply with the following Directives and related Standards.
bg	Декларацията се издава в удостоверение на това, че изброените продукти съответстват на стандартите на правните норми на Европейския съюз и могат да носят знака CE. Моделите изпълняват директивите и техните стандарти, както следва.
cs	Tímto stvrzujeme, že výrobky uvedené v tomto dokladu splňují požadavky zákonů Evropského společenství a mohou být označeny značkou CE. Tyto modely splňují následující směrnice a související normy.
da	Det bekræftes hermed, at de produkter, der er nævnt i dette dokument, opfylder bestemmelserne i EU-lovgivningen og kan bære CE-mærkatet. Disse modeller er i overensstemmelse med følgende direktiver og relaterede standarder:
de	Hiermit wird bescheinigt, dass die in diesem Dokument aufgeführten Produkte mit den gesetzlichen Bestimmungen der Europäischen Gemeinschaft übereinstimmen und das CE- Zeichen tragen können. Diese Modelle erfüllen die folgenden Richtlinien sowie weitere anzuwendende Normen.
es	La presente certifica que los productos enumerados en este documento cumplen con los requerimientos de la Legislación de la Comunidad Europea, y que pueden portar la marca CE. Estos modelos cumplen con las siguientes Directrices y Estándares relacionados:
et	Kinnitame, et eespool nimetatud tooted vastavad Euroopa Ühenduse seadusandluse nõuetele ja kannavad CE-märgistust. Eespool nimetatud mudelid vastavad järgmistele direktiividele ja seotud standardidele:
fi	Vakuutamme, että tässä asiakirjassa luetellut tuotteet täyttävät Euroopan Unionin lainsäädännön asettamat vaatimukset ja voi saada CE-merkinnän. Nämä mallit täyttävät seuraavien direktiivien ja niitä koskevien standardien vaatimukset:
fr	Nous déclarons par la présente que les produits mentionnés dans le document sont conformes à la législation de la Communauté européenne et peuvent porter le marquage CE. Ces modèles sont conformes aux directives suivantes et aux normes connexes :
el	Με την παρούσα δήλωση πιστοποιείται ότι τα προϊόντα που αναφέρονται στην παρούσα πληρούν τις απαιτήσεις της Ευρωπαϊκής Κοινοτικής Νομοθεσίας και μπορούν να φέρουν τη σήμανση CE. Τα μοντέλα αυτά συμμορφώνονται με τις ακόλουθες Οδηγίες και τα σχετικά Πρότυπα.
hu	Éz annak tanúsítására szolgál, hogy a dokumentumban felsorolt termékek megfelelnek az Európai közösségi jog követelményeinek és viselheti a CE jelzést. Ezek a modellek eleget tesznek a következő irányelveknek és vonatkozó szabványoknak.
hr	Ovo je potvrda da proizvodi koji su navedeni u ovom dokumentu odgovaraju zakonima europske zajednice i da nose CE oznaku. Ovi modeli zadovoljavaju sljedeće direktive i odgovarajuće standarde.
it	Si certifica che i prodotti elencati nel presente documento soddisfanno i requisiti della legislazione della Comunità Europea e possono recare il marchio CE. Questi modelli sono conformi alle seguenti norme e direttive:
lt	Šiuo patvirtiname kad šiame dokumente paminėti produktai atitinka Europos Bendrijos įstatymų reikalavimus ir jie gali būti pažymėti CE ženkle. Šie modeliai atitinka sekančias direktyvas ir standartus.
lv	Ar šo tiek apstiprināts, ka šajā dokumentā uzskaitītie izstrādājumi atbilst Eiropas Kopienas Likuma prasībām un var tikt marķēti ar emblēmu CE. Šie modeļi atbilst sekojošajām Direktīvām un attiecīgajām Normām.
nl	Hiermee wordt gecertificeerd dat de producten die in deze lijst staan opgesomd, voldoen aan de wettelijke voorschriften van de Europese Gemeenschap en mogen worden voorzien van de CE markering. Deze modellen voldoen aan de volgende richtlijnen en bijbehorende normen:
no	Dette sertifiserer at produktene som er nevnt i dette dokumentet oppfyller kravene som stilles av EU, og at de dermed kan CE-merkes. Disse modellene tilfredsstiller følgende direktiver og relaterte standarder:
pl	Niniejszym zaświadcza się, że produkty wymienione w niniejszym dokumencie spełniają wymogi Prawa Wspólnoty Europejskiej i mogą nosić oznakowanie CE. Modele te spełniają wymogi następujących dyrektyw i powiązanych norm.
pt	O presente documento certifica que os produtos listados neste documento atendem aos requisitos das Leis da Comunidade Europeia e podem levar a marca CE. Esses modelos estão de acordo com as seguintes diretivas e padrões relacionados.
ro	Prin prezenta se atestă faptul că produsele menționate în acest document îndeplinesc cerințele de Drept Comunitar European și pot purta sigla C.E. Aceste modele sunt în conformitate cu următoarele directive și standarde asociate.
ru	Настоящим удостоверяется, что перечисленные в этом документе изделия соответствуют требованиям законов Европейского Союза и могут быть обозначены знаком CE. Эти модели отвечают требованиям следующих директив и соответствующих стандартов.
sl	To služi kot potrditev, da izdelki, ki so navedeni v tem dokumentu, ustrezajo zahtevam zakonodaje Evropske skupnosti in so lahko opremljeni z oznako CE. Ti modeli so v skladu z naslednjimi direktivami in povezanimi standardi.
sk	Týmto vyhlasujeme, že výrobky uvedené v tomto dokumente, splňajú požiadavky zákonov ES a môžu byť označené značkou CE. Tieto modely vyhovujú nasledujúcim smerniciam príslušným normám.
sv	Härmed försäkras att produkterna som finns listade i detta dokument uppfyller kraven i Europeiska gemenskapens lagstiftning och kan förses med CE-märket. Modellerna uppfyller följande direktiv och tillhörande normer.
tr	Bu belgede belirlenen ürünlerin Avrupa Birliği Yasası gereksinimlerini karşılayarak CE işareti taşıyabilmesini onaylamak içindir. Bu modeller aşağıdaki Direktif ve ilgili Standartlarla uyumludur



FORCE™ 6 BLOWER Owner's Manual

en Directive: 2006/42/EC	hu Irányelv: 2006/42/EC	pt Diretiva: 2006/42/EC
bg Директива: 2006/42/EC	el Οδηγία: 2006/42/EC	ru Директива: 2006/42/EC
cs Směrnice č. 2006/42/EC	hr Direktiva: 2006/42/EC	ro Directiva: 2006/42/EC
da Direktiv: 2006/42/EF	it Direttiva: 2006/42/EF	sl Direktiva: 2006/42/EF
de Richtlinie: 2006/42/EG	lt Direktyva: 2006/42/EG	sk Smernica: 2006/42/EG
es Directriz: 2006/42/EC	lv Direktīva: 2006/42/EC	sv Direktiv: 2006/42/EC
et Direktiiviga: 2006/42/EÜ	nl Richtlijn: 2006/42/EÜ	tr Direktif: 2006/42/EÜ
fi Direktiivi: 2006/42/EC	no Direktiv: 2006/42/EC	
fr Directives : 2006/42/CE	pl Dyrektywy: 2006/42/CE	

en Model	Guaranteed Sound Power Level	Measured Sound Power Level	Sound Pressure Level at Operator's Ear (1)	Engine Net Power	Hand/Arm Vibration (2)	Mass
bg Model	Гарантирано ниво на звука	Измерено ниво на звука	Налягане на звука, измерено на нивото на ухото на оператора (1)	Мощност на двигателя	Вибрация на дланта и на ръката (2)	Маса
cs Model	Garantovaná hladina akustického výkonu	Změřená hladina akustického výkonu	Hladina akustického tlaku naměřená u ucha obsluhující osoby (1)	Užitečný výkon motoru	Vibrace rukou/paží (2)	Váha
da Model	Garanteret støjniveau	Målt støjniveau	Lydtryksniveau ved brugerens øre (1)	Maskine Netto kraft	Vibration af hånd/arm (2)	Vægt
de Modell	Garantierter Schallleistungspegel	Gemessener Schallleistungspegel	Schalldruckpegel am Ohr der Bedienungsperson (1)	Motor Nettoleistung	Vibrationen an Hand/Arm (2)	Masse
es Modelo	Nivel garantizado de potencia acústica	Nivel medido de potencia acústica	Nivel de presión acústica en el oído del operador (1)	Potencia neta del motor	Vibración mano / brazo (2)	Masa
et Mudel	Garanteeritud helivõimsuse tase	Mõõdetud helivõimsuse tase	Helirõhu tase kasutaja kõrvajuures (1)	Masini puhas tõotav	Võkumine käsi / käsivars (2)	Massi
fi Malli	Taattu äänitehotaso	Mitattu äänitehotaso	Äänenpaine taso käyttäjän korvan tasolla (1)	Moottorin nettoteho	Käden/käsivarren värinä (2)	Paino
fr Modèle	Niveau de bruit garanti	Niveau de bruit mesuré	Niveau sonore au niveau de l'oreille de l'opérateur (1)	Puissance nette du moteur	Vibrations au niveau de la main/du bras (2)	Masse
el Μοντέλο	Εγγυημένη στάθμη ηχητικής ισχύος	Μετρηθείσα στάθμη ηχητικής ισχύος	Στάθμη ηχητικής πίεσης στο αυτί του χειριστή (1)	Καθαρή ισχύς κινητήρα	Χειρροβραχιονική δόνηση (2)	Μάζα
hu Model	Garantált hangteljesítmény szint	Mért hangteljesítmény szint	Hangnyomás szint a gépkezelő fülénél (1)	Motor hasznos teljesítménye	Kéz/kar vibráció (2)	Tömeg
hr Model	Zajamčena razina snage zvuka	Izmerjena razina snage zvuka	Razina zvučnog tlaka na uhu rukovatelja (1)	Neto snaga motora	Vibracije šake/ruke (2)	Masa
it Modello	Livello acustico garantito	Livello acustico misurato	Livello di pressione acustica all'orecchio dell'operatore (1)	Potenza netta motore	Vibrazioni a mani/braccia (2)	Massa
lt Modelis	Garantuotas triukšmo lygis	Pamatuotas triukšmo lygis	Garso spaudimo lygis įrangos naudotojui (1)	Variklio bendras galingumas	Rankenos vibracija (2)	Masė
lv Modelis	Garantētais skaņas jaudas līmenis	Izmērītais skaņas jaudas līmenis	Skaņas spiediena līmenis pie operatora ausis (1)	Dzinēja neto jauda	Rokas/pleca vibrācija (2)	Masa
nl Model	Gegarandeerd geluidsdrumniveau	Gemeten geluidsdrumniveau	Geluidsdrumniveau bij het oor van de gebruiker (1)	Netto motorvermogen	Trilling van hand/arm (2)	Mass
no Modell	Garantert lydsterkenivå	Målt lydsterkenivå	Lydtrykk-nivå ved operatørens øre (1)	Motorens netto kraft	Hånd/arm-vibrasjon (2)	Masse
pl Model	Gwarantowany poziom mocy akustycznej	Zmierzony poziom mocy akustycznej	Poziom ciśnienia akustycznego w uchu operatora (1)	Moc netto silnika	Drżania ręki/ramienia (2)	Masa
pt Modelo	Nível de potência de som garantido	Nível de potência de som medido	Níveis de pressão do som no ouvido do operador (1)	Potência útil do motor	Vibração na mão/braço (2)	Massa
ro Model	Nivel de zgomot garantat	Nivel de zgomot măsurat	Nivel de presiune acustică la urechea operatorului (1)	Putere netă motor	Vibrație mână/braț (2)	Masă
ru Модель	Гарантированный уровень звуковой мощности	Измеренный уровень звуковой мощности	Уровень звукового давления на месте оператора (1)	Полезная мощность двигателя	Интенсивность вибрации на ладонях/руках (2)	Вес
sl Model	Zajamčena raven zvočne moči	Izmerjena raven zvočne moči	Raven zvočnega tlaka pri užesu uporabnika (1)	Izhodna moč motorja	Tresljaji na rokah (2)	Masa
sk Model	Zaručená hladina akustického výkonu	Nameraná hladina akustického výkonu	Hladina akustického tlaku pôsobiaceho na ucho obsluhy (1)	čistý výkon motora	Ruka/Rameno Vibrácia (2)	Masa
sv Modell	Garanterad ljudeffektivitet	Uppmått ljudeffektivitet	Ljudtrycksnivå vid operatörens öra (1)	Motoreffekt netto	Hånd-/armvibrationer (2)	Massa
tr Model	Garantili Ses Gücü Seviyesi	Ölçülen Ses Gücü Seviyesi	Operatörün Kulakındaki Ses Basıncı Seviyesi (1)	Makine Net Gücü	El/Kol Titreşimi (2)	Ağırlık
F902S	108 dB(A)	107 dB(A)	87 dB(A)	6.6 kW	9.44 m/s ²	62.6 kg
F902H	110 dB(A)	109 dB(A)	89 dB(A)	6.6 kW	10.3 m/s ²	64.8 kg
F902H	111 dB(A)	110 dB(A)	90 dB(A)	9.6 kW	7.96 m/s ²	72.6 kg
F402S	111 dB(A)	110 dB(A)	90 dB(A)	10.3 kW	10.7 m/s ²	74.4 kg
F902V	118 dB(A)	117 dB(A)	97 dB(A)	13.4 kW	11.9 m/s ²	81.2 kg
F601S	106 dB(A)	105 dB(A)	85 dB(A)	4.7 kW	10.1 m/s ²	34.5 kg
F601HS	106 dB(A)	105 dB(A)	85 dB(A)	4.7 kW	10.1 m/s ²	34.5 kg
F601V	103 dB(A)	102 dB(A)	82 dB(A)	4.1 kW	4.51 m/s ²	40.3 kg



FORCE™ 6 BLOWER Owner's Manual

- (1) ISO 5395-1:2013 F.7 (EN 4871:1996)
(2) ISO 5395-1:2013 G.8 (EN 12096:1997, D.1)

en bg cs da de es et fi fr	Manufacturing Place / Keeper of Documentation Място на производство / Архивар Místo výroby / Držitel dokumentace Fremstillingssted / Indehaver af dokumentationen Herstellungsort / Verantwortlicher für die Dokumentation Lugar de manufactura / Guardián de documentación Valmistamiskoht / Dokumentatsiooni hoidja Valmistuspaikka / Asiakirjojen haltija Lieu de fabrication / Personne chargée de conserver la documentation	el hu hr it lt lv nl no	Τόπος κατασκευής / Υπεύθυνος τήρησης αρχείων τεκμηρίωσης Gyártás helye / A dokumentáció őrzője Mjesto proizvodnje / Čuvar dokumentacije Sede di produzione / Archiviatore di documentazione Pagaminimo vieta / Dokumentacijos turėtojas Ražošanas vieta / Dokumentācijas glabātājs Productieplaats / Documentatiebeheerder Produksjonssted / Dokumentasjonsholder	pl pt ro ru sl sk sv tr	Miejsce produkcji / Osoba odpowiedzialna za przechowywanie dokumentów Local de Fabrico / Responsável pela Documentação Loc de fabricație / Păstrător documentație Место производства / Владелец документации Kraj izdelave / Hranitelj dokumentacije Miesto výroby / Dokumentácia majiteľa Tillverkningsplats / Dokumentförvaring Üretim Yeri / Doküman Sorumlusu
--	---	--	---	--	--

1803 S.W. Jefferson
Lees Summit, MO 64063-
0308 USA

Jeroen Engelen
Schepersweg 4a 6049CV
Herten, NL

Ted Melin
Engineering Manager

Part No. 440022
Revision: F110215A

10/10/2015